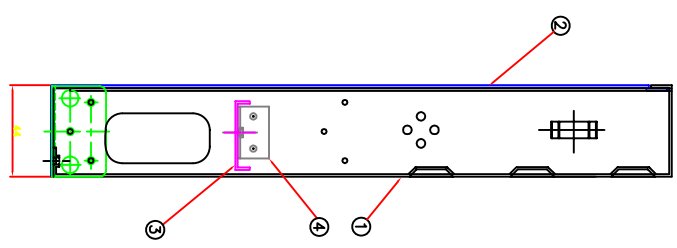
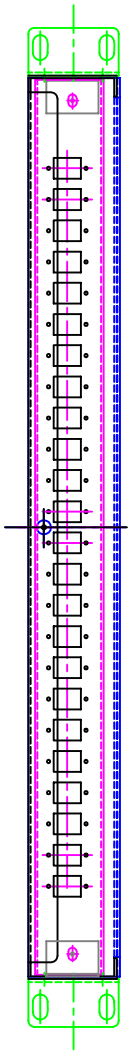
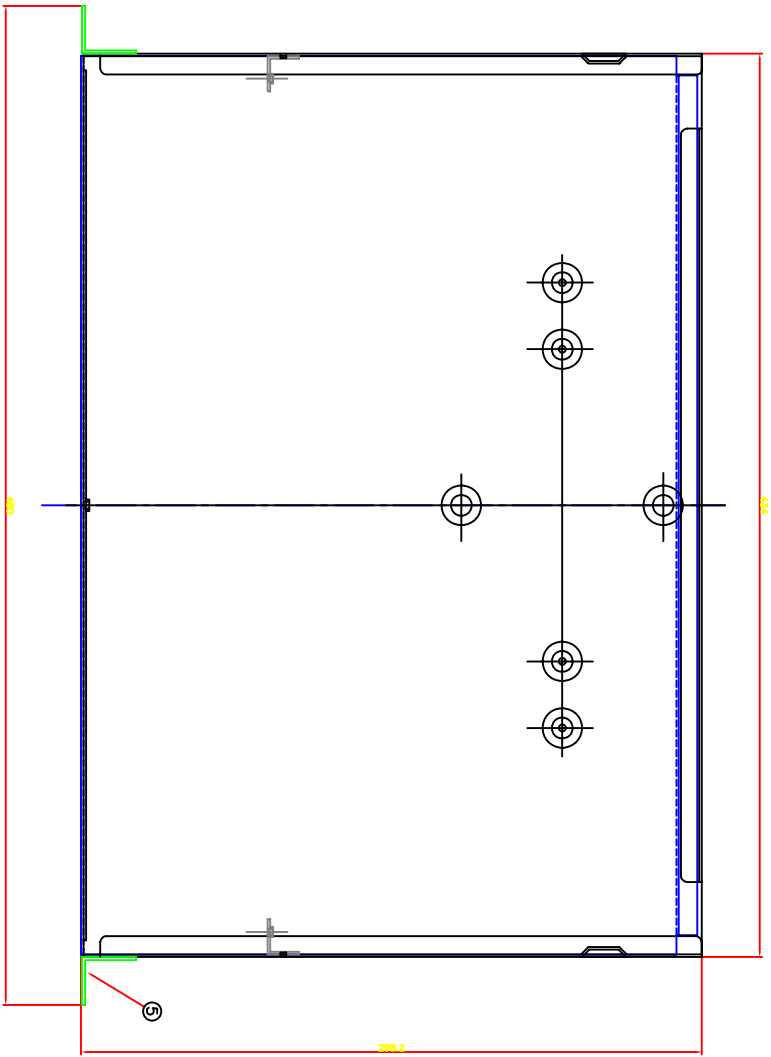
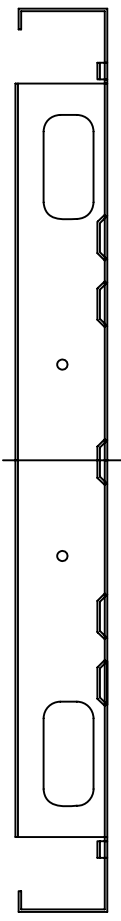


DWG. NO.

DATE	DESCRIPTION	DESIGNED BY	CHECKED BY	APPROVED BY
199 . . .				
199 . . .				



NO.	ITEM	QTY	UNIT	REMARKS
1	COVER	1	PC	
2	COVER	1	PC	
3	COVER	1	PC	
4	COVER	1	PC	
5	COVER	1	PC	

DWG. NO. 199 . . .
 DWG. DATE 199 . . .
 DWG. SCALE 1/1
 DWG. DATE 2008.03.24
 DWG. NAME ASSY
 PROJECT NAME FDF-1U
 PROJECT NO. SEOMH1SEOMH1

금사의 사전 허락없이 무단 전재, 복제, 배포를 금함.